

# Dial Type Series

# Model: DS-SB



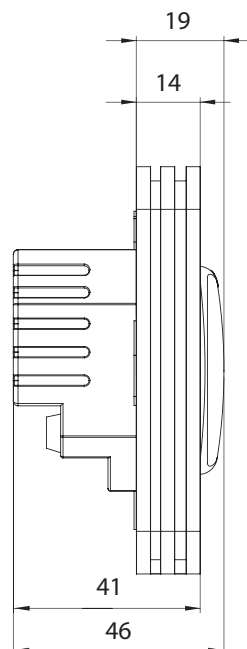
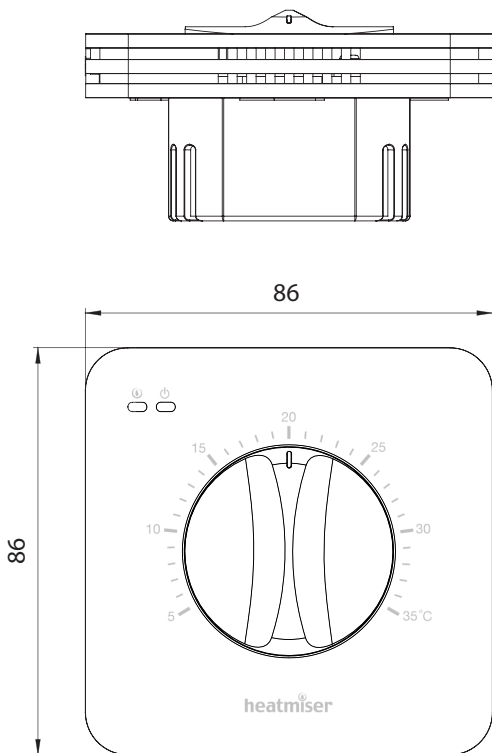
Temperature Range	05-35 °C	Supply	230VAC
Mounting Type	Flush	Rating	3A
Set Back Function	Y	Installed Dimensions (L,H,D)	86 x 86 x 19mm
Digital Display	N	Weight	165g
Time Clock Override Switch	Y		
Dial Lock (using internal pins)	Y		
Built In Sensor	Y		
Remote Air Sensing Mode	Y		
Floor Sensing Mode	N		
Remote Probe Included	N		
Built In Air & Floor	N		
Adjustable Switching Differential	N		
Accuracy	+/- 1.5°C		

## Mode Table

The DS-SB has three different operation modes depending on the position of the side switch:

POSITION	MODE	DESCRIPTION
1	Constant	The time clock can be bypassed by placing the switch in to position 1. In this position, the thermostat will ignore the time clock input and will control to the set temperature.  This can be used to extend the heating period without the need to adjust the time clock program.
⌚	Set Back	On receiving a 230v signal on the Ⓞ terminal, the thermostat will operate to the set temperature.  When no 230v signal is present, the thermostat will operate in set-back mode, automatically reducing the set temperature by 4°C.
0	Off	Heating off completely.

## Product Dimensions (mm) & Wiring Specification



## Model: DS-SB

