

# DL Convert 98

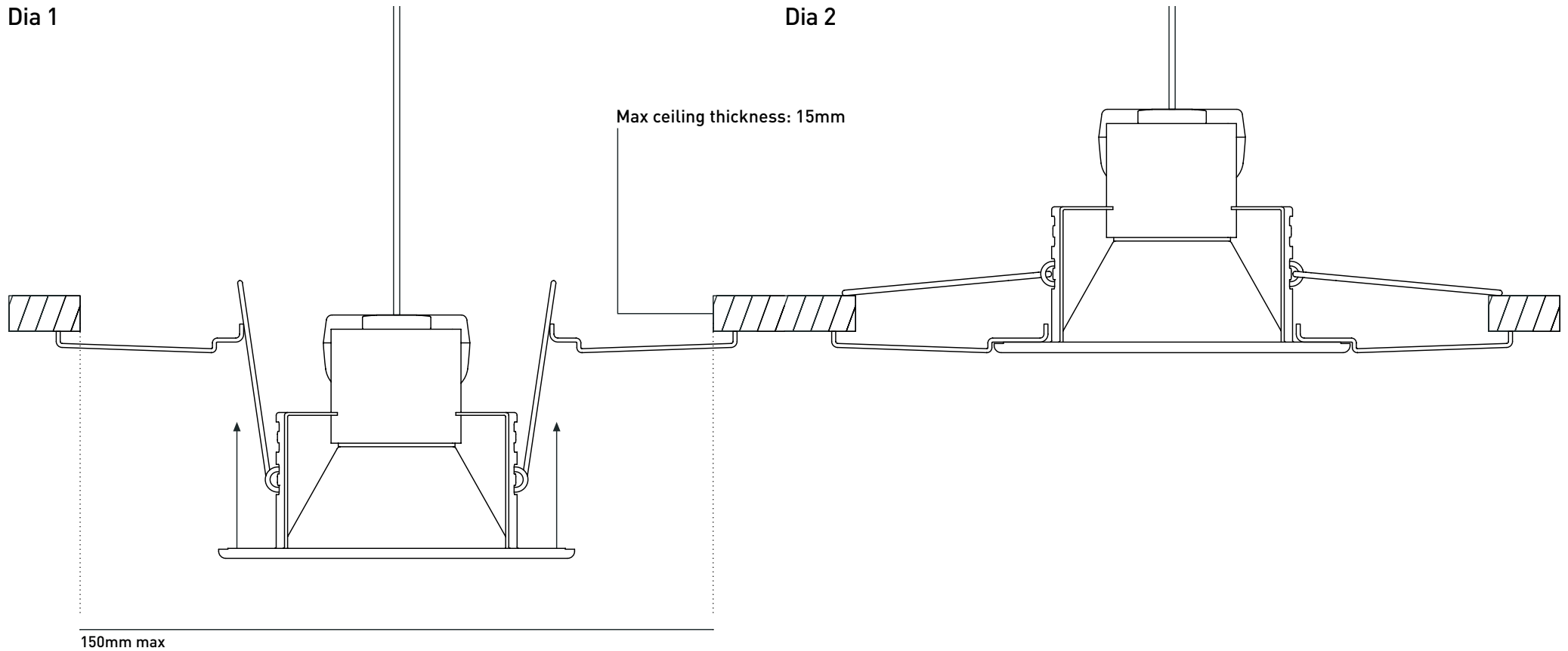
## Installation instructions

HALERS  
RANGE

Converter plate, converts maximum 150mm diameter hole to 98mm

Dia 1

Dia 2



### Installation

1. Lift springs and insert downlight through converter hole.  
**NOTE** - for H5 product, springs are fitted in position A (see H5 installation instructions).
2. Refer to downlight instructions and wire to mains supply
3. Partially pull out the downlight from the converter plate (dia 1)
4. Hold the converter plate against the ceiling (dia 1)
5. Push the down light back into the converter plate until it snaps into position (dia 2)

T +44 (0) 1604 495 151 F +44 (0) 1604 495 095  
E sales@collingwoodgroup.com W collingwoodlighting.com

HLI 1040 V1



COLLINGWOOD  
LIGHTING LTD